



Viron

A green approach to pool heating.

ASTRALPOOL 

hurlcon



Nearly 10 years of intensive research and development by AstralPool Hurlcon, Australia's largest pool heating manufacturer, has resulted in the Viron Gas Pool and Spa Heater. Using revolutionary technology, Viron saves energy, reduces greenhouse emissions and reduces water consumption in your pool or spa. And importantly for your family, reduces operating costs without compromising your lifestyle.

Viron is a product of today's thinking and global challenges.

The Viron Pool and Spa Heater squarely faces the issues of greenhouse emissions, energy efficiency and water sustainability all in one compact unit.

With operating efficiencies of up to 97%, Viron reduces operating costs by more than 20% over conventional gas heaters.

By absorbing so much heat into the pool water, Viron produces up to 10 litres of condensation per hour which can be piped back into your pool or spa. In fact, in a typical pool heating application Viron can add more than 3000 litres of water to your swimming pool each year, reducing the need to top up your pool.

Natural gas is one of the cleanest and greenest fuels available. With dramatically increased energy efficiency, Viron makes the most of this clean energy source by reducing greenhouse emissions over conventional gas heaters.

And state of the art materials and design means Viron is less than half the size of other heaters, meaning installation is easier and less intrusive.



ASTRALPOOL 

hurlcon



Viron's technology has been developed around a unique stainless steel knitted mesh burner which fires downwards through multiple layers of extruded finned tube through which the pool or spa water passes.

This unique burner utilises a fan which premixes gas and air for perfect combustion, regardless of the installation or weather conditions.

Viron



The multiple layers of tubes (or heat exchanger) incorporate a unique bi metal design of aluminium outer and fins and an internal of 316 stainless steel for corrosion resistance to chemically treated pool and spa water.

The heat exchanger absorbs so much heat from the combustion process that the flue gases condensate. This condensate is then collected and returned to the swimming pool, via a patent pending process. The mildly acidic condensate also helps counter balance the alkaline effects of most chlorines and salt chlorinators, reducing the need to add acid and balance your pool water.

Increased energy efficiency means lower operating costs and reduced greenhouse emissions. Viron significantly reduces CO2 emissions over both conventional gas heaters and heat pumps.

The condensation produced by the high energy efficiency is collected and returned to the swimming pool, reducing water consumption and helping to balance the pool or spa water pH.



The Genus Electronic Management system maintains exactly the desired temperature further reducing energy consumption and creating the perfect environment for you to swim or enjoy a relaxing therapeutic spa.



The Genus IV electronic management system monitors pool and spa water temperature, heat exchanger temperature, gas input and the level of condensate produced all to provide the safest swimming pool heater on the market.

Once your pool heater is within 1 degree of the desired (or set point) temperature, the electronics turn down the firing rate of the heater to exactly match the heat loss of your pool. This patent pending process enables the Viron to achieve a remarkable efficiency of up to 97%

Save Space and installation time.

In today's smaller backyards, space is at a premium. Viron's unique technology means the heater is only 30% - 50% of the size of conventional gas heaters. Smaller footprint, lower clearances from nearby structures, and a lower height enable Viron to be installed in places heaters could never before fit.



Viron size compared to conventional gas heater.

tCO2-e per annum full fuel cycle

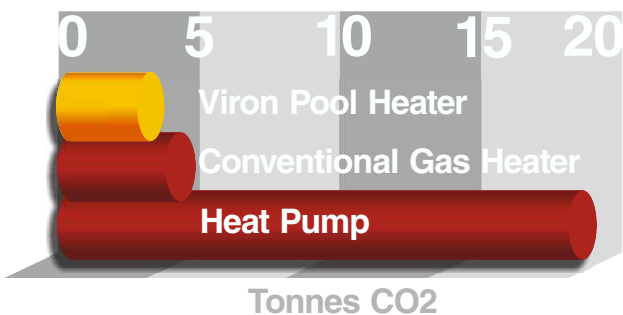
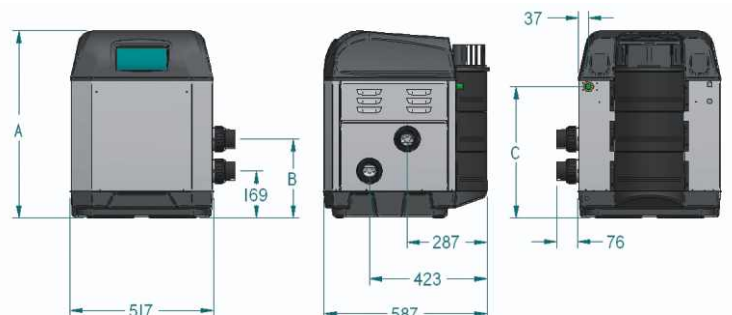


Chart based on Viron and conventional gas heaters used to heat on demand are equivalent to heating a 50,000 litre swimming pool for 96 days per year (during Summer, Easter, Winter and September School Holidays). Heat Pump emissions based on maintenance heating (left heating for 9 months a year at an average COP of 3.5).



**Heating on Demand.
Heat only when you swim and &
swim when you want. Convenient
and Economical.**

At AstralPool Hurlcon we believe your pool or spa should be a warm oasis, whenever you want to use it. But why waste energy and money to keep it warm just in case you are going to use it?

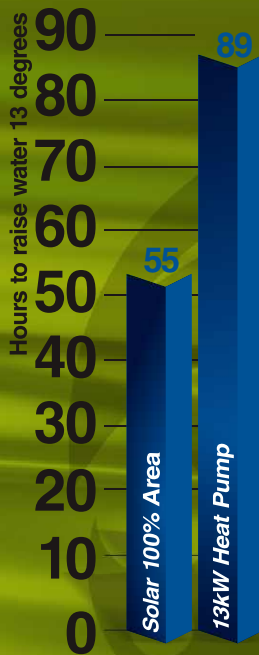
Many pool and spa heating systems need to be left operating continuously simply because they take days to heat up. Only gas heating provides realistic heating on demand.

Whether your pool is in a warm sub tropical climate or a cool temperate climate only gas can realistically heat your pool in a few hours.

Once the weekend or holidays are finished, simply turn your heater off and save energy and money.

In fact, the most economical way to heat your pool has always been natural gas heating on demand. And

Viron saves approximately 20% on operating costs over conventional gas heaters. In fact, when used to heat on demand, a Natural Gas Viron heater can save up to \$780.00 per annum over a Heat Pump.



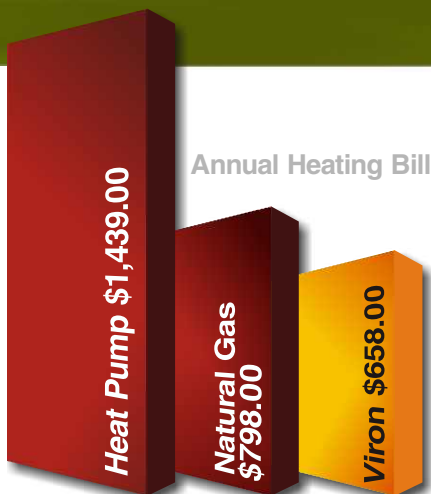
Installation.

The Viron Pool and Spa Heater makes installation easier than ever. Clearances to walls and structures can be reduced by up to 450mm with the Viron, substantially reducing the floor area required. Water connections are made with glue in 50mm PVC pipe, no bi pass valves are required for flow rates up to 500 litres per minute.

With 4 models available, the Viron Pool and Spa Heater enables you to heat your pool or spa on demand, when you want to swim, saving you money, and helping preserve the environment in which we live. Only Viron gives you so much in such a small package.

Warranty.

Viron is covered by a 5 year warranty on the cabinet, 2 years on gas valve, circuit boards and burner and 1 year on the heat exchanger. Refer to Product Instructions at www.astralpool.com.au for full warranty details.



Costs based on natural gas pricing in Victoria as of 1/11/07 compared with standard domestic electricity tariff. Gas Heaters used as demand heaters, Heat Pump used as maintenance heater.

